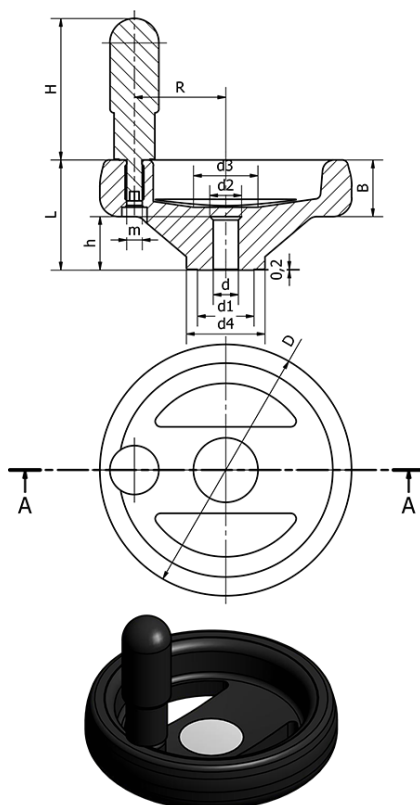


Data Sheet



Article number: 2301079161R
Description: E+G Handwheel
VRTP.100-P+I-SST-10
Note: Plastic

Measures



| | | |
|----------------|------------|-----------------------|
| = - | d H7 | = 10 |
| B = 20 | H | = 17 |
| Code = 79161-R | L | = 37 |
| D = 99 | R | = 37 |
| d1 = 18 | Type | = VRTP.100-P+I-SST-10 |
| d2 = 16 | Weight (g) | = 145 |
| d3 = 20.5 | | |
| d4 = 25.5 | | |